

IdentiFlex 602 with SmartScan™

Analog Addressable Control Panel



Description

The IdentiFlex 602 (IF602SS) with SmartScan™ is ideally suited for small- to medium-sized installations at commercial, institutional, and industrial life-safety projects.

The IF602SS has all the features of today's most advanced life safety systems. The integration of analog and addressable hardwired circuits allows system engineers to customize panels and maximize efficiency for any application.

The IF602SS can monitor and control up to 396 intelligent analog addressable input/output points. The interactive operator's display uses LED prompting for ease of programming and user operation. The alphanumeric display and

keypad simplify field programming, or download programming from a Windows®-based application.

The IF602SS's housing will fit between 16" studs for semi-flush mounting. Access to system function keys is limited by a key switch. Multiple levels of password protection prohibit unauthorized use. The circuit boards are mounted on a removable chassis with pluggable terminal strips for ease of installation and service.

Operator's Display

The IF602SS's operator's display controls all user access to the system. The display provides all of the necessary keys and annunciation points to maintain and monitor the system. Alarm, supervisory, and trouble conditions are all indicated on the operator's display by dedicated LEDs and an internal sounder. The Acknowledge, Reset, and Signal Silence keys are located directly below the 4 x 40-character backlit alphanumeric display. All system functions and operational logic can be programmed from the front panel in the field. The IF602SS display has four user-programmable function keys.

Analog Addressable Signaling Line Circuits

The IF602SS analog interface module provides Signaling Line Circuits (SLC), loop circuits that can monitor and control up to 198 analog/addressable devices on each power-limited loop, for a total of 396 analog points in a dual-loop system. Loop wiring is polarity sensitive.

Each SLC loop has a dedicated microprocessor that simultaneously communicates with connected field devices and the main CPU.

Features

- One or two Signaling Line Circuits (SLC), up to 396 points.
- SmartScan™ protocol 99 detectors, 99 devices per WP.
- SmartStart™ self-programming logic.
- Downloadable or front-panel programmable.
- Password protected.
- Approved for Agent Releasing and Supervisory Service.
- Fully digital SLC protocol.
- SmartLink™ peer-to-peer networkable.
- 1000-event history log.
- Automatic drift compensation.
- Coded signaling capability.
- Adjustable sensor sensitivity and temperature settings.
- Supervisory service.
- Style 6 (Class A) or Style 4 (Class B) SLC.
- Four Style Y (Class B), or two Style Z (Class A) notification appliance circuits (NACs).
- Semi-flush mounting (between 16" studs).
- 160-character display.
- Optional UDACT.
- Built-in strobe and horn synchronization.

Listings

Listings and approvals below apply to the basic IdentiFlex 602 control panel with SmartScan™. In some cases, certain modules may not be listed by certain approval agencies, or listing may be in process. Consult factory for latest listing status.

- UL Listed: file S521.



The IF602SS uses SmartScan™ fully digital communications protocol to improve the speed and accuracy of event reporting. The communications protocol provides for alarm verification per detector, detector adjustability and compensation, adjustable analog heat detector range circuit isolation, and priority interrupts. Priority interrupts allow contact-type devices such as manual fire alarm stations to interrupt the polling cycle and transmit their addresses at any time during a polling sequence.

The fully digital protocol allows the IF602SS to operate on most types of field wiring, greatly expanding its use in retrofit applications. Consult the supplemental SLC manual on tech support for specific wiring requirements.

IF602SS Power Supply

The IF602SS power supply is a fully regulated 8 Amp supply that furnishes system operating and signaling power. It is equipped with a battery charger which maintains the secondary power source. The power supply is monitored by the main CPU, ensuring that adequate power levels are available. The power supply design allows for high efficiency while providing precise power output. The battery charger maintains batteries up to 26 AH. The supply powers four on-board Notification Appliance Circuits (NACs) (two Class A) with multiple built-in synchronization protocols for System Sensor, Wheelock and others.

Input (I) / Output (O) Devices

Addressable control output devices are the interface between analog circuits and building functions. The outputs are controlled with Control By Event (CBE) software within the IF602SS, and can be programmed to respond to any event. The control devices can be used as supervised remote signaling circuits.

The IF602SS, with Gamewell's complete line of 600 Series devices, provides a foundation for system design. The IF602SS's RS-232 output expands system monitoring and control capabilities.

Remote Display and Control

Serial annunciator drivers are available in 16-point increments and are an ideal interface to graphic annunciators. Switches can be used for Acknowledge, Reset, Signal Silence, Drill, etc., to customize the remote status control network.

An alphanumeric display can also be used for remote status and control. The alphanumeric display is designed to communicate over the serial communications network.

The IF602SS can communicate locally or remotely with a printer to document system activity.

See the RAN/SAN data sheet (CS-2025) for complete annunciator details.

Applications

The IF602SS Analog Addressable Control Panel is designed for new or retrofit small- to mid-sized projects that require state-of-the-art life-safety systems. The embedded CPU offers users unrivaled reliability without sacrificing flexibility or value.

With compatible analog sensors and addressable input and control interface devices, and its remote status and control capabilities, the IF602SS provides system engineers with all the tools necessary to design effective system solutions for any application.

Specifications

Common control

Standby current: 0.125 A.

Alarm current: 0.171 A plus signaling circuit power, plus 0.002 A for master box, or plus 0.022 A for reverse-polarity.

Input power: 120 VAC, 3.0 A; or 240 VAC, 1.5 A.

Auxiliary output

S+/S-, A+/A-, 2.0 A maximum.

Common relays: 1.0 A @ 30 VDC, or 0.5 A @ 250 VAC.

Notification appliance circuits

Circuits: four Class B, two Class A.

Output: 3.0 A maximum @ 24 VDC per circuit. Maximum 8.0 A total for all circuits.

Analog SLC:

198 396

Standby current: 0.045 A 0.055 A

Alarm current: 0.045 A 0.055 A

Panel dimensions

Standard cabinet: 20.0" H x 14.0" W x 4.5" D (cm: 50.8 H x 35.56 W x 11.43 D).

XL cabinet: 30.0" H x 22.0" W x 5.5" D (cm: 76.2 H x 55.88 W x 13.97 D).

Battery storage dimensions

Standard cabinet: 6.0" H x 9.0" W x 4.5" D (cm: 15.24 H x 22.86 W x 11.43 D).

XL cabinet: 14" H x 22.0" W x 5.5" D (cm: 35.56 H x 55.88 W x 13.97 D).

Relative humidity

93% noncondensing.

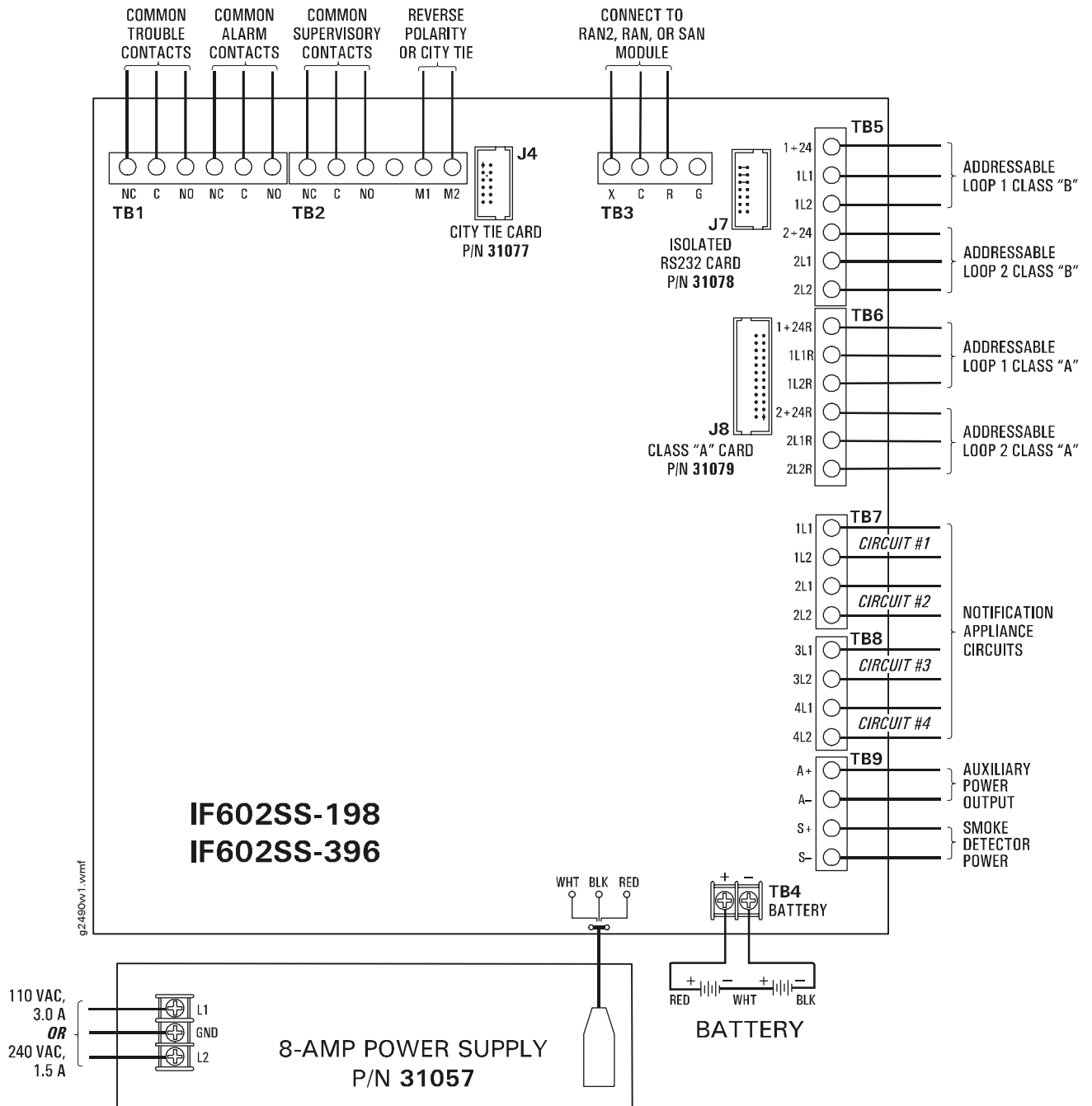
Temperature rating

32°F – 120°F (0°C – 49°C).

Architectural/Engineering Specifications

The control panel furnished and installed shall be capable of supporting 396 addressable devices and two analog loops. The panel shall utilize a fully digital Signaling Line Circuit (SLC) protocol. The panel shall contain four on-board Notification Appliance Circuits (NACs) that support multiple synchronization protocols. The panel shall utilize a 160-character Liquid Crystal Display (LCD) and a 1,000-event history log. The panel shall be a Gamewell IF602SS with SmartScan™.

Wiring Diagram



Ordering Information

- IF602SS-198R** IF602SS analog addressable system with SmartScan™, consisting of: IF602SS common control, 8 Amp main power supply, **one analog circuit** module (198 analog addressable points), and standard cabinet assembly (CAB-602R). Dimensions: 20.0" H x 14.0" W x 4.5" D (50.8 cm H x 35.56 cm W x 11.43 cm D).
- IF602SS-198XL** 198 point/one SLC IF602SS (refer to IF602SS-198R above) in extra-large housing, allowing space for battery storage. Extra-large cabinet dimensions: 30.0" H x 22.0" W x 5.5" D (76.2 cm H x 55.88 cm W x 13.97 cm D).
- IF602SS-396R** IF602SS analog addressable system with SmartScan™, consisting of: IF602SS common control, 8 Amp main power supply, **two analog circuits** module (396 analog addressable points), and standard cabinet assembly (CAB-602R). Dimensions: 20.0" H x 14.0" W x 4.5" D (50.8 cm H x 35.56 cm W x 11.43 cm D).
- IF602SS-396XL** 396 point/two SLC IF602SS (refer to IF602SS-396R above) in extra-large housing, allowing space for battery storage. Extra-large cabinet dimensions: 30.0" H x 22.0" W x 5.5" D (76.2 cm H x 55.88 cm W x 13.97 cm D).
- 72214** *Installation and Maintenance Manual — IdentiFlex 602.*
- 30177** 3.9K ohm, 0.5 watt end-of-line resistor.
- 31077** CTM-602, city-tie/remote signaling module, for 602 Series panels.
- 31078** ISO-232, RS-232 serial-port isolator module, for 602 Series panels.
- 31079** CLA-602, Class "A" adapter module for SLC, 602 Series panels.



A Honeywell Company

Gamewell

12 Clintonville Road
Northford, CT 06472-1610

Phone: 203-484-7161

Fax: 203-484-7118

www.gamewell.com

A Honeywell Company
© 2004 Gamewell

Specifications and wiring information are provided for information only and are believed to be accurate. Gamewell assumes no responsibility for their use. Data and design are subject to change without notice. Installation and wiring instructions shipped with the product shall always be used for actual installation. For more information, contact Gamewell.