

## Ethernet System Controller **WV-CU950**

### The Surveillance Cockpit for Total Control of the System850.



#### Integrated System Control

##### Camera Control

- Detached joystick controls Pan/Tilt and Zoom, allowing seamless tracking.
- Larger numeric keypad provides direct access to cameras.

##### Recorder Control

- Jog Dial and Shuttle Ring for smoother control of WJ-HD300 Series recorders

- Dedicated Record, Play, and Search buttons

##### Switcher Control

- Image switching and sequencing buttons

#### Easy to Operate While Focused on Surveillance

##### Universal Design for Right or Left Hand Use

- Detached joystick pad
- Layout with Jog Dial and Shuttle Ring in center

##### More Comfortable Extended Surveillance

- Soft padding on joystick
- Adjustable joystick height for large or small hands
- Low center of gravity design and adjustable angle minimize strain

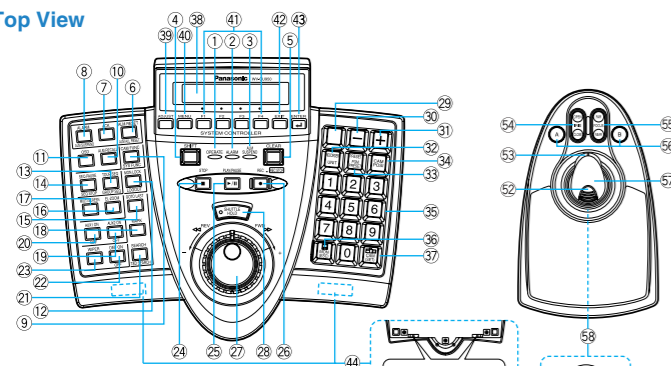
##### Instinctive Operation

- Cockpit style button layout

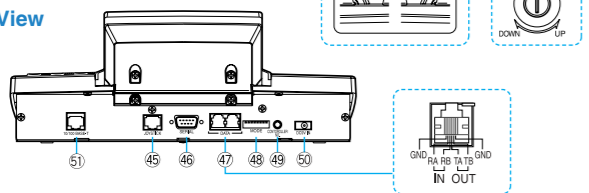
#### System Management Capability

- User level management for registered users
- User assignable buttons: four in main unit plus three in palm rest

#### Top View



#### Rear View

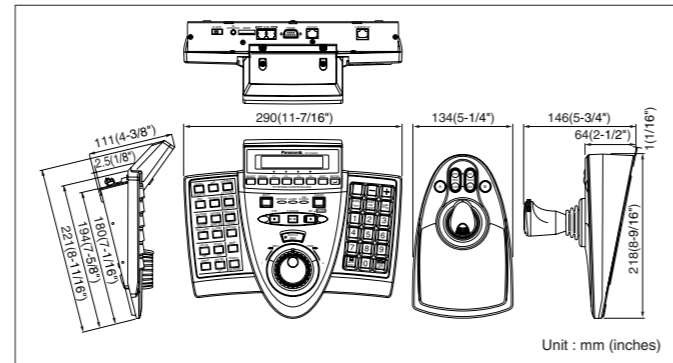


- |   |  |
|---|--|
| 1. Operation Indicator                    | 17. Multiscreen Selection Button             |
| 2. Alarm Indicator                        | 18. Mark Button                              |
| 3. Alarm Suspend Indicator                | 19. Auxiliary 2 ON/OFF Button                |
| 4. Shift Button                           | 20. Auxiliary 1 ON/OFF Button                |
| 5. Clear Button                           | 21. Search/Time and Date Search Button       |
| 6. Alarm Reset/Alarm All Reset Button     | 22. Defroster Button                         |
| 7. Alarm Acknowledge Button               | 23. Wiper Button                             |
| 8. Alarm/Alarm Suspend Button             | 24. Stop Button                              |
| 9. Camera Function/System Function Button | 25. Play/Pause Button                        |
| 10. Alarm Recall Button                   | 26. Recording Button                         |
| 11. On-Screen Display Button              | 27. Shuttle Ring (Outside)/ JogDial (Inside) |
| 12. Monitor Lock/Logout Button            | 28. Camera/Set Button                        |
| 13. Tour Sequence/Group Sequence Button   | 29. History Button                           |
| 14. Sequence Pause/Sequence Stop Button   | 30. -Button                                  |
| 15. Go To Last Button                     | 31. +Button                                  |
| 16. Electronic Zoom Button                | 32. Recorder/Unit Selection Button           |

#### SPECIFICATIONS

Power Source	9 V DC, 600 mA (using the supplied AC adapter)
Power Source (supplied AC adapter)	120 V AC, 60 Hz, 200 mA
Ethernet Port	10Base-T/100Base-TX, RJ-45 x1
Data Output/Input Port	6-conductor modular jack (RS-485, Full duplex) x2
Serial Port	9-pin D-sub connector
Controller Number	1 to 8 (rotary switch)
Ambient Operating Temperature	-10 °C to +50 °C (14 °F to 122 °F)
Unit Number Selection	1 to 99
Monitor Number Selection	1 to 99
Camera Number Selection	1 to 256
Dimensions (W x H x D)	Main Unit: 290 x 111 x 221 mm (11-7/16" x 4-3/8" x 8-11/16") 3D Joystick Unit: 134 x 146 x 218 mm (5-1/4" x 5-3/4" x 8-9/16")
Weight (without the AC adapter)	Main Unit: 1.3 kg (2.86 lbs.) 3D Joystick Unit: 0.8 kg (1.76 lbs.)

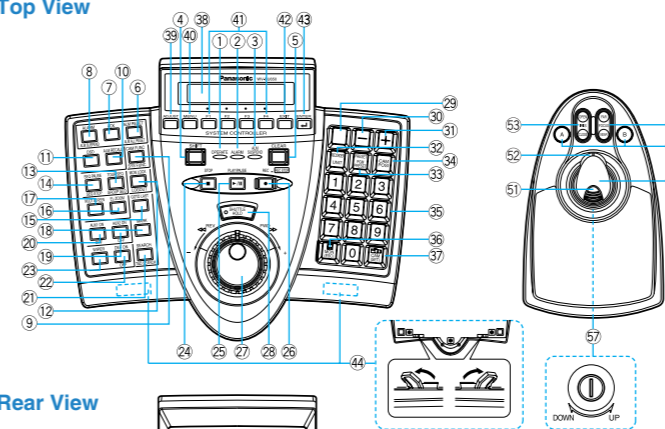
#### APPEARANCE



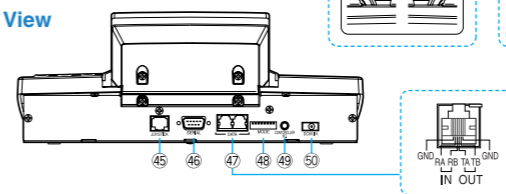
- |                                  |                              |                              |
|----------------------------------|------------------------------|------------------------------|
| 33. Preset/Program Preset Button | 42. Exit Button              | 51. 10Base-T/100Base-TX Port |
| 34. Camera Position Button       | 43. Enter Button             | 52. Top Button               |
| 35. Numeric Buttons              | 44. Feet                     | 53. Zoom Wheel Controller    |
| 36. Monitor/Escape Button        | 45. Joystick Connector       | 54. Iris Control Buttons     |
| 37. Camera/Set Button            | 46. Serial Port              | 55. Focus Control Buttons    |
| 38. LCD                          | 47. Data Ports               | 56. A and B Buttons          |
| 39. Adjustment Button            | 48. Mode Selection Switches  | 57. 3D Joystick              |
| 40. Menu Button                  | 49. Controller Number Switch | 58. Adjusting Screw          |
| 41. Function Buttons             | 50. DC 9V Input Jack         |                              |

## RS-485 System Controller **WV-CU650**

#### Top View



#### Rear View

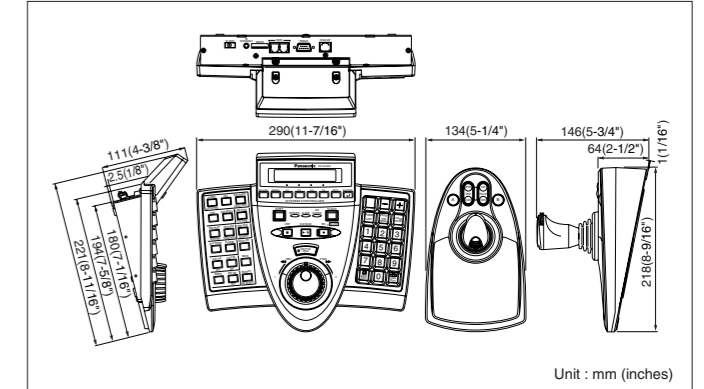


- |   |  |
|---|--|
| 1. Operation Indicator                    | 17. Multiscreen Selection Button             |
| 2. Alarm Indicator                        | 18. Mark Button                              |
| 3. Alarm Suspend Indicator                | 19. Auxiliary 2 ON/OFF Button                |
| 4. Shift Button                           | 20. Auxiliary 1 ON/OFF Button                |
| 5. Clear Button                           | 21. Search/Time and Date Search Button       |
| 6. Alarm Reset/Alarm All Reset Button     | 22. Defroster Button                         |
| 7. Alarm Acknowledge Button               | 23. Wiper Button                             |
| 8. Alarm/Alarm Suspend Button             | 24. Stop Button                              |
| 9. Camera Function/System Function Button | 25. Play/Pause Button                        |
| 10. Alarm Recall Button                   | 26. Recording Button                         |
| 11. On-Screen Display Button              | 27. Shuttle Ring (Outside)/ JogDial (Inside) |
| 12. Monitor Lock/Logout Button            | 28. Shuttle Hold Button                      |
| 13. Tour Sequence/Group Sequence Button   | 29. History Button                           |
| 14. Sequence Pause/Sequence Stop Button   | 30. -Button                                  |
| 15. Go To Last Button                     | 31. +Button                                  |
| 16. Electronic Zoom Button                | 32. Recorder/Unit Selection Button           |

#### SPECIFICATIONS

Power Source	9 V DC, 300 mA (using the supplied AC adapter)
Power Source (supplied AC adapter)	120 V AC, 60 Hz, 200 mA
Data Output/Input Port	6-conductor modular jack (RS-485, Full duplex) x2
Serial Port	9-pin D-sub connector
Controller Number	1 to 8 (rotary switch)
Ambient Operating Temperature	-10 °C to +50 °C (14 °F to 122 °F)
Unit Number Selection	1 to 99
Monitor Number Selection	1 to 99
Camera Number Selection	1 to 256
Dimensions (W x H x D)	Main Unit: 290 x 111 x 221 mm (11-7/16" x 4-3/8" x 8-11/16") 3D Joystick Unit: 134 x 146 x 218 mm (5-1/4" x 5-3/4" x 8-9/16")
Weight (without the AC adapter)	Main Unit: 1.3 kg (2.86 lbs.) 3D Joystick Unit: 0.8 kg (1.76 lbs.)

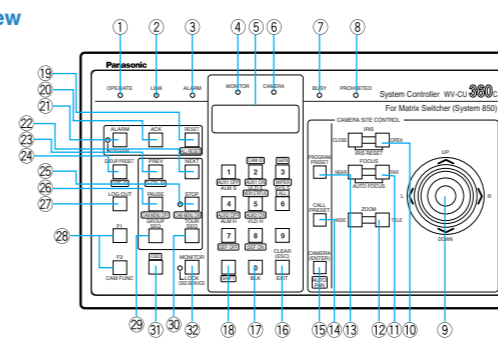
#### APPEARANCE



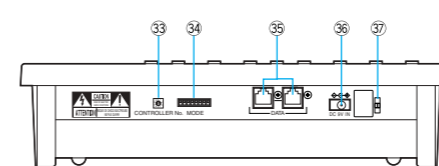
- |                                  |                              |                           |
|----------------------------------|------------------------------|---------------------------|
| 33. Preset/Program Preset Button | 42. Exit Button              | 51. Top Button            |
| 34. Camera Position Button       | 43. Enter Button             | 52. Zoom Wheel Controller |
| 35. Numeric Buttons              | 44. Feet                     | 53. Iris Control Buttons  |
| 36. Monitor/Escape Button        | 45. Joystick Connector       | 54. Focus Control Buttons |
| 37. Camera/Set Button            | 46. Serial Port              | 55. A and B Buttons       |
| 38. LCD                          | 47. Data Ports               | 56. 3D Joystick           |
| 39. Adjustment Button            | 48. Mode Selection Switches  | 57. Adjusting Screw       |
| 40. Menu Button                  | 49. Controller Number Switch |                           |
| 41. Function Buttons             | 50. DC 9V Input Jack         |                           |

## RS-485 System Controller **WV-CU360C**

#### Top View



#### Rear View



- |                           |                                    |  |
|---------------------------|------------------------------------|--|
| 1. Operate Indicator      | 14. Call Preset Button             | 27. Log Out Button   |
| 2. Link Indicator         | 15. Camera/Enter Button            | 28. Function Buttons   |
| 3. Alarm Indicator        | 16. Clear/Escape Button            | 29. Group Sequence Button                                    |
| 4. Monitor Indicator      | 17. Numeric Buttons                | 30. Tour Sequence Button                                     |
| 5. LED Display            | 18. Shift Button                   | 31. OSD Button   |
| 6. Camera Indicator       | 19. Alarm Reset Button             | 32. Monitor/Monitor Lock/ OSD Service Button, Lock Indicator |
| 7. Busy Indicator         | 20. Alarm Acknowledge Button       | 33. Controller Number Switch                                 |
| 8. Prohibited Indicator   | 21. Alarm Button, Disarm Indicator | 34. Mode Selection Switches                                  |
| 9. Joystick Controller    | 22. Next Button                    | 35. Data Ports   |
| 10. Iris Buttons          | 23. Previous Button                | 36. DC 9V Input Jack   |
| 11. Focus Buttons         | 24. Group Preset Button            | 37. Cable Clamp  |
| 12. Zoom Buttons          | 25. Stop Button                    |  |
| 13. Program Preset Button | 26. Pause Button                   |  |

#### SPECIFICATIONS

Power Required	9 V DC 400 mA (use exclusive AC adapter supplied with the controller)
LED Display	5 digits for Monitor, and Camera
Keys and Joystick	Numeric keys: 0, 1, 2, 3, 4, 5, 6, 7, 8, 9, SHIFT, CLEAR Select keys: CAMERA, MONITOR Sequence Control: GROUP PRESET, GROUP SEQ, TOUR SEQ NEXT, PREV, STOP, PAUSE Camera Control: Joystick pan-tilt (Variable speed) CLOSE, OPEN, NEAR, FAR, WIDE, TELE Alarm Control: ACK, ALARM, RESET Function keys: LOGOUT, CALL PRESET, PROGRAM PRESET, OSD Special Function keys: F1, F2
Data Output Port	6-conductor Modular Jack (RS-485, Full Duplex)
Ambient Operating Temperature	-10 °C - +50 °C (14 °F - 122 °F)
Ambient Operating Humidity	Less than 90%
Dimensions	300 (W) x 74 (H) x 177 (D) mm [11-13/16" (W) x 2-15/16" (H) x 6-15/16" (D)]
Weight	1.3 kg (2.9 lbs.) without AC Adapter
AC Adapter	120 V AC 60Hz, 10W

#### APPEARANCE

