



## ENV Series EnviroDome Camera Systems



- ▶ Day/Night, color and B/W versions
- ▶ 26x (Day/Night) or 18x optical zoom range +12x digital zoom
- ▶ Weather-resistant design
- ▶ Privacy masking and sector blanking
- ▶ Remotely configurable (Bilinx, Bi-Phase, RS-232, RS-485)
- ▶ Revolutionary AutoTrack motion tracking option
- ▶ Multiple protocols
- ▶ Three-year warranty

Whatever the weather may bring, the EnviroDome maintains peak performance, making it the ideal solution for perimeter surveillance, parking lots and other outdoor applications.

The EnviroDome has all of the features needed to capture the details missed by other cameras.

### Functions

The revolutionary AutoTrack feature (optional), built directly into the camera, marks a new generation in motion detection. AutoTrack not only senses movement, but zooms in on the target and follows it, leaving guards' hands free for other responsibilities.

Image control and quality are integral aspects of any outdoor surveillance system. The EnviroDome offers optical zoom lenses from 18x to 26x, and all systems offer a full 12x digital zoom once the end of the optical zoom is reached. In addition, the patented scaling feature ensures that you have optimal control for viewing at all zoom settings.

Effective surveillance cameras must also perform well under a range of lighting conditions. To enhance sensitivity when night falls, the Day/Night EnviroDome automatically switches from color to monochrome by removing the infrared filter.

Whether you program the camera to switch automatically, or use the manual switch, the result is optimal camera function, day or night. For ultimate sensitivity, the B/W camera can be used. For operation in the darkest conditions, the slow shutter control feature (standard on all Color and Day/Night EnviroDome cameras) automatically reduces the shutter speed to as little as one second. This increases sensitivity by more than 50 times.

In answer to concerns about personal privacy, the EnviroDome provides sector blanking and privacy masking. These features allow customization to ensure privacy for diverse needs.

Remote control, configuration, and updates can be performed over the video cable (coax or passive UTP) when using Bilinx-compatible control and configuration devices (such as VP-CFGSFT configuration tool or LTC 8016 Allegiant Bilinx Interface)

The menu for these devices supports multiple languages, including: English, French, German, Spanish, Portuguese, and Polish.

The following are some of the features that make the AutoDome one of the most flexible domes in the industry. These adjustments can be made by the installer to customize the AutoDome's operation to meet a particular customer's needs.

### Rugged Bubble (Option)

- Rugged Bubbles are made from 3 mm thick Polycarbonate, designed to meet stringent strength standards without compromising optical clarity.
- The Bubble, by itself, can withstand a 100 foot-pound impact. This energy is equivalent to that of a 10 lb sledgehammer dropped from a height of 10 feet.
- The Bubble, installed in the Dome, exceeds the UL 1598 horizontal impact standard for lighting fixtures by a factor of 10.

### Camera Commands

- Picture quality settings such as **White Balance** and **Sharpness**.
- **Max Gain:** When Automatic Gain Control (AGC) is on, the AutoDome allows selection of a specific **maximum** setting that the AGC can achieve, limiting graininess of the picture. The camera automatically adjusts to very low-light situations.
- **Slow Shutter (Frame Integration):** By slowing the shutter speed, the camera's sensitivity increases, resulting in visibility at much lower light levels. Available settings are **fully automatic**, or one of six specific shutter speeds.
- **Digital Zoom:** A full 12x digital zoom can be utilized once the maximum optical zoom has been reached. If digital zoom is not desired, it can be disabled.

### Day/Night Commands

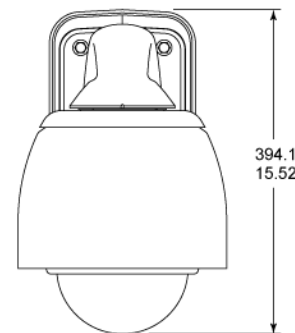
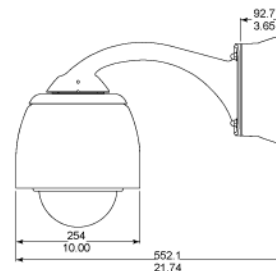
- **Night Mode:** This feature switches the camera from Color to Monochrome and removes the IR filter, increasing the camera's sensitivity in low light applications. Settings are **on**, **off**, or **fully automatic**.
- **Night Mode Threshold:** When set to **automatic**, this feature determines the light level at which the camera will switch to night mode.

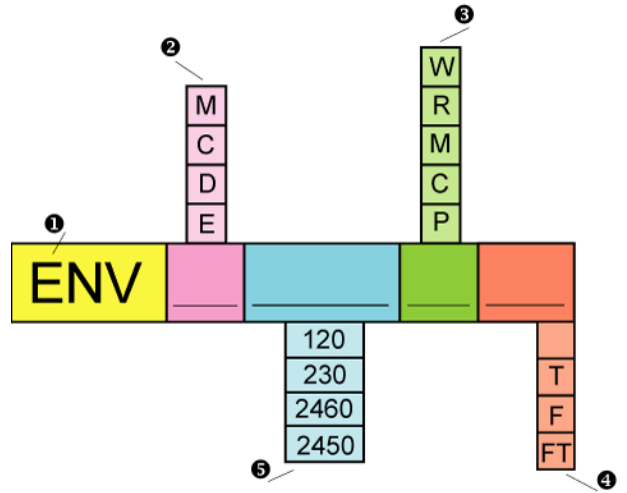
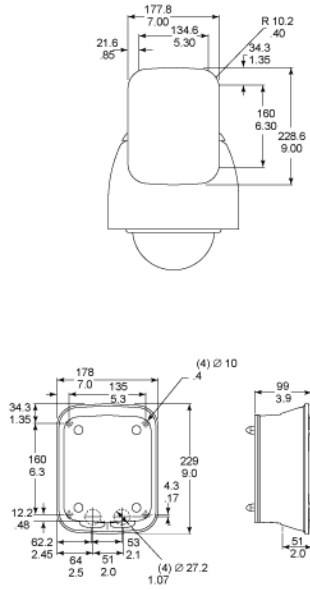
### Dome Commands

- **Sector Blanking:** Video blanking in up to 16 specified sectors within total field-of-view.
- **Privacy Masking:** Up to six areas can be masked from visibility.
- **Guard Tours:** There are two styles of Guard Tours:
  - **The preset tour** has capability for up to 99 presets, which can either be included or excluded from the tour. The dwell time can be specified, whereupon each of the included presets will be visited consecutively. This tour continues until operator intervention.

- Two **Recorded tours** are available, which have a combined duration of 15 minutes of movements. These are recorded **macros** of an operator's movements, including Pan/Tilt/Zoom (PTZ) activities, and can be **played back** in a continuous manner. This creates a smoother and more thorough type of automated tour.
- **Inactivity:** When an operator stops manual control of a dome, the inactivity option determines what the dome should do next, if anything. The options are as follows: **return to a specific preset**, **return to the automated tour previously executed**, or **do nothing**. The installer can determine the duration of the inactivity period.
- **Password Control:** This feature allows the installer to determine the security level of dome commands. Available settings are as follows:
  - **Low:** any user can access any option.
  - **Medium:** a published command unlocks the commands
  - **High:** a four digit, modifiable password is required to unlock the commands.

### Installation/Configuration Notes





- 1 EnviroDome
  - 2 M – 18x Monochrome
    - Note: This option is available only in the Americas.
 C – 18x Color  
 D – 18x Day/Night  
 E – 26x Day/Night
  - 3 W – Wall  
 R – Roof<sup>3</sup>
    - Note: This option is available only in the Americas.
 M – Mast (pole)  
 C – Cornet  
 P – Pipe
  - 4 \_ – Standard  
 T – AutoTrack<sup>4</sup>  
 F – Fiber<sup>2</sup>  
 FT – Fiber w/AutoTrack<sup>2,4</sup>
  - 5 120 – 120 VAC, 60 Hz NTSC  
 230 – 230 VAC, 50 Hz PAL  
 2460 – 24 VAC, 60 Hz NTSC<sup>1</sup>  
 2450 – 24 VAC, 50 Hz PAL<sup>1</sup>
1. No transformer included. Customer must supply 24 VAC, 50 W transformer (ENV-PSU or equivalent). Not available with fiber optic option.
  2. Fiber option only available in kits with transformers. For kits without transformers, an LTC 4628 may be used with standard ENV kit. Each fiber kit requires an LTC 4629 at the system.
  3. Roof mount mounts to vertical parapet. For flat roof installations, you must also order the LTC 9230/01 Flat Roof Adapter Plate.
  4. Tracker not available on Monochrome models.

The Rugged Bubble option is ordered separately, as a replacement component, available in Clear or Tinted.

## Technical Specifications

### Camera 18x Color/18x Day/Night

Imager	1/4 in. Exview CCD (752 x 582 PAL) / (768 x 494 NTSC)	
Lens	18x Zoom (4.1 mm–73.8 mm) F1.4 to F3.0	
Focus	Automatic with manual override	
Iris	Automatic with manual override	
Field of View	2.7° to 48°	
Video Output	1.0 Vp-p, 75 Ohm	
Gain Control	Off / Auto (with adjustable limit)	
Synchronization	Line-lock (–120° to 120° vertical phase adjust) or internal crystal	
Aperture Correction	Horizontal and vertical	
Digital Zoom	12x	
Horizontal Resolution	470 TVL (NTSC) / 460 TVL (PAL)	
<b>Sensitivity</b> (Minimum Usable Video: 20 IRE)	<b>18x Color</b>	<b>18x Day/Night</b>
Day Mode w/Slow Shutter Off	0.25 lux	0.25 lux
Night Mode w/Slow Shutter Off	—	0.031 lux
Day Mode w/Slow Shutter On	0.0033 lux	0.0033 lux
Night Mode w/Slow Shutter On	—	0.0005 lux
<b>Sensitivity</b> (Usable video: 50 IRE)	<b>18x Color</b>	<b>18x Day/Night</b>
Day Mode w/Slow Shutter Off	0.7 lux	0.7 lux
Night Mode w/Slow Shutter Off	—	0.166 lux
Day Mode w/Slow Shutter On	0.0082 lux	0.0082 lux
Night Mode w/Slow Shutter On	—	0.0013 lux
SNR	>50 dB	
White Balance	2000 K to 10,000 K	

### Camera 26x Day/Night

Imager	1/4 in. Exview HAD CCD (752 x 582 PAL) / (768 x 494 NTSC)	
Lens	26x Zoom (3.5–91.0 mm) F1.6 to F3.8	
Focus	Automatic with manual override	
Iris	Automatic with manual override	
Field of View	2.3° to 55°	
Video Output	1.0 Vp-p, 75 Ohm	
Gain Control	Off / Auto (with adjustable limit)	
Synchronization	Line-lock (–120° to 120° vertical phase adjust) or internal crystal	

Aperture Correction	Horizontal and vertical
Digital Zoom	12x
Horizontal Resolution	470 TVL (NTSC) / 460 TVL (PAL)
<b>Sensitivity</b> (Minimum Usable Video: 20 IRE)	
Day Mode w/Slow Shutter Off	0.33 lux
Night Mode w/Slow Shutter Off	0.066 lux
Day Mode w/Slow Shutter On	0.0103 lux
Night Mode w/Slow Shutter On	0.0021 lux
<b>Sensitivity</b> (Usable Video: 50 IRE)	
Day Mode w/Slow Shutter Off	1 lux
Night Mode w/Slow Shutter Off	0.26 lux
Day Mode w/Slow Shutter On	0.026 lux
Night Mode w/Slow Shutter On	0.052 lux
SNR	>50 dB
White Balance	2000 K to 10,000 K

### Camera 18x Monochrome

Imager	1/4 in. Exview HAD CCD (752 x 582 CCIR) / (768 x 494 EIA)
Lens	18x Zoom (4.1–73.8 mm) F1.4 to F3.0
Focus	Automatic with manual override
Iris	Automatic with manual override
Field of View	2.7° to 48°
Video Output	1.0 Vp-p, 75 Ohm
Gain Control	Off / Auto (with adjustable limit)
Synchronization	Line-lock (–120° to 120° vertical phase adjust) or internal crystal
Aperture Correction	Horizontal and vertical
Digital Zoom	12X
Horizontal Resolution	520 TVL (typical)
Sensitivity (Minimum Usable Video: 20 IRE)	0.031 lux
Sensitivity (Usable Video: 50 IRE)	0.1 lux
SNR	>50 dB
White Balance	N/A

### Environmental

Humidity	0% to 100% relative, condensing
Ingress Protection	IP66 (NEMA 4X)
Operating Temp	–40°C to 50°C (–40°F to 122°F)
Storage Temp	–40°C to 60°C (–40°F to 140°F)

## Mechanical

Weight	5.9 kg (13 lb)
Pan/Tilt	360° continuous pan, -5° to 90° tilt from horizontal plane
Pre-position Speed	360°/sec., ±0.50° Accuracy
Variable Speed	120°/sec.

## Miscellaneous

Sectors/Titling	16 independent sectors with 16-character titles/sector
Camera Setup/Control	Bi-Phase, RS-232, RS-485, Bilinx (coax)
Communications Protocols	Bi-Phase, Bilinx, Pelco P, and Pelco D
Pre-positions	99, each with 16-character titles
Guard Tours	Two (2) types of tours: <ul style="list-style-type: none"> <li>Recorded tours - two (2), total duration 15 minutes</li> <li>Preset tour - one (1), consisting of up to 99 scenes, consecutively</li> </ul>
Addressing	FastAddress Remote Addressing or 4 digit thumbwheel
Supported Languages	English, French, German, Spanish, Portuguese, and Polish
Agency Listings	CE, UL

## User Connections

Power (Camera)	21-28 VAC, 50/60 Hz	-15 W max.
Power (Heater)	21-28 VAC, 50/60 Hz	-30 W max.
Bi-Phase ±	Control Data	
RS-232 RX/TX or RS-485 ±	optional control data (dip switch selectable)	
Video	BNC	
Alarm Inputs (4)	Programmable for "Normally Open" or "Normally Closed"	
Relay Out (1)	Dry contact output rating: 2 A @ 30 VAC	

## Mounts/Accessories

Wall Arm (No Transformer)	ENV-PA0
Wall Arm (120/230 VAC Transformer)	ENV-PA1 / ENV-PA2
Wall Arm (120/230 VAC Transformer and Fiber Optics)	ENV-PA1F / ENV-PA2F
Optional Mounting Plates for Above	
Corner Mounting Plate	LTC 9542/01
Mast (Pole) Mounting Plate	LTC 9541/01
Pipe Mount Cap	LTC 9543/00
Roof (Parapet) Mount	LTC 9230/00
Flat Roof Adapter (for above)	LTC 9230/01
Outdoor Power Supply Box (120/230 VAC Transformer)	ENV-PSU1 / ENV-PSU2
Outdoor Power Supply Box (120/230 VAC Transformer and Fiber Optics)	ENV-PSU1F / ENV-PSU2F

## Fiber Optic Accessories

Optical Fiber Compatibility	50/125 mm, 62.5/125 mm, low loss multimode glass fiber, rated for a minimum system bandwidth of 20 MHz (video 850 nm/Control 1300 nm)
Max Distance	4 km (2.5 miles)

\* Additional accessories available - See Accessories Datasheet.

## Ordering Information

### Model | Description

ENVC230W Color EnviroDome Kit	18x color, PAL, outdoor pendant, wall mount, clear dome, white, 230 VAC, 50 Hz
ENVC230C Color EnviroDome Kit	18x color, PAL, outdoor pendant, corner mount, clear dome, white, 230 VAC, 50 Hz
ENVC230P Color EnviroDome Kit	18x color, PAL, outdoor pendant, pipe mount, clear dome, white, 230 VAC, 50 Hz
ENVC230M Color EnviroDome Kit	18x color, outdoor pendant, pole mount, clear dome, white, 230 VAC, 50 Hz
ENVC230WF Color EnviroDome	18x color, outdoor pendant, wall mount, clear dome, white, fiber optic module, 230 VAC, 50 Hz
ENVC230CF Color Dome	18x color, outdoor pendant, corner mount, clear dome, white, fiber optic module, 230 VAC, 50 Hz
ENVC230PF Color Dome	18x color, outdoor pendant, pipe mount, clear dome, white, fiber optic module, 230 VAC, 50 Hz
ENVC230MF Color Dome	18x color, outdoor pendant, pole mount, clear dome, white, fiber optic module, 230 VAC, 50 Hz
ENVC230WT Color Dome	18x color, AutoTrack, outdoor pendant, wall mount, clear dome, white, 230 VAC, 50 Hz
ENVC230CT Color Dome	18x color, AutoTrack, outdoor pendant, corner mount, clear dome, white, 230 VAC, 50 Hz
ENVC230PT Color Dome	18x color, AutoTrack, outdoor pendant, pipe mount, clear dome, white, 230 VAC, 50 Hz
ENVC230MT Color Dome	18x color, AutoTrack, outdoor pendant, pole mount, clear dome, white, 230 VAC, 50 Hz
ENVC230WFT Color Dome	18x color, AutoTrack, outdoor pendant, wall mount, clear dome, white, fiber optic module, 230 VAC, 50 Hz
ENVC230CFT Color Dome	18x color, AutoTrack, outdoor pendant, corner mount, clear dome, white, fiber optic module, 230 VAC, 50 Hz
ENVC230PFT Color Dome	18x color, AutoTrack, outdoor pendant, pipe mount, clear dome, white, fiber optic module, 230 VAC, 50 Hz
ENVC230MFT Color Dome	18x color, AutoTrack, outdoor pendant, pole mount, clear dome, white, fiber optic module, 230 VAC, 50 Hz

## Ordering Information

## Model | Description

ENVD230W Day/Night Dome	18x day/night, outdoor pendant, wall mount, clear dome, white, 230 VAC, 50 Hz
ENVD230C Day/Night Dome	18x day/night, outdoor pendant, corner mount, clear dome, white, 230 VAC, 50 Hz
ENVD230P Day/Night Dome	18x day/night, outdoor pendant, pipe mount, clear dome, white, 230 VAC, 50 Hz
ENVD230M Day/Night Dome	18x day/night, outdoor pendant, pole mount, clear dome, white, 230 VAC, 50 Hz
ENVD230WF Day/Night Dome	18x day/night, outdoor pendant, wall mount, clear dome, white, fiber optic module, 230 VAC, 50 Hz
ENVD230CF Day/Night Dome	18x day/night, outdoor pendant, corner mount, clear dome, white, fiber optic module, 230 VAC, 50 Hz
ENVD230PF Day/Night Dome	18x day/night, outdoor pendant, pipe mount, clear dome, white, fiber optic module, 230 VAC, 50 Hz
ENVD230MF Day/Night Dome	18x day/night, outdoor pendant, pole mount, clear dome, white, fiber optic module, 230 VAC, 50 Hz
ENVD230WT Day/Night Dome	18x day/night, AutoTrack, outdoor pendant, wall mount, clear dome, white, 230 VAC, 50 Hz
ENVD230CT Day/Night Dome	18x day/night, AutoTrack, outdoor pendant, corner mount, clear dome, white, 230 VAC, 50 Hz
ENVD230PT Day/Night Dome	18x day/night, AutoTrack, outdoor pendant, pipe mount, clear dome, white, 230 VAC, 50 Hz
ENVD230MT Day/Night Dome	18x day/night, AutoTrack, outdoor pendant, pole mount, clear dome, white, 230 VAC, 50 Hz
ENVD230WFT Day/Night Dome	18x day/night, AutoTrack, outdoor pendant, wall mount, clear dome, white, fiber optic module, 230 VAC, 50 Hz
ENVD230CFT Day/Night Dome	18x day/night, AutoTrack, outdoor pendant, corner mount, clear dome, white, fiber optic module, 230 VAC, 50 Hz
ENVD230PFT Day/Night Dome	18x day/night, AutoTrack, outdoor pendant, pipe mount, clear dome, white, fiber optic module, 230 VAC, 50 Hz
ENVD230MFT Day/Night Dome	18x day/night, AutoTrack, outdoor pendant, pole mount, clear dome, white, fiber optic module, 230 VAC, 50 Hz
ENVC2450C Color EnviroDome Kit	18x color, outdoor pendant, corner mount, clear dome, white, 24 VAC, 50 Hz
ENVC2450M Color EnviroDome Kit	18x color, outdoor pendant, pole mount, clear dome, white, 24 VAC, 50 Hz
ENVC2450P Color EnviroDome Kit	18x color, outdoor pendant, pipe mount, clear dome, white, 24 VAC, 50 Hz

## Ordering Information

## Model | Description

ENVC2450CT Color EnviroDome Kit	18x color, AutoTrack, outdoor pendant, corner mount, clear dome, white, 24 VAC, 50 Hz
ENVC2450MT Color EnviroDome Kit	18x color, AutoTrack, outdoor pendant, pole mount, clear dome, white, 24 VAC, 50 Hz
ENVC2450PT Color EnviroDome Kit	18x color, AutoTrack, outdoor pendant, pipe mount, clear dome, white, 24 VAC, 50 Hz
ENVC2450W Color EnviroDome Kit	18x color, outdoor pendant, wall mount, clear dome, white, 24 VAC, 50 Hz
ENVC2450WT Color EnviroDome Kit	18x color, AutoTrack, outdoor pendant, wall mount, clear dome, white, 24 VAC, 50 Hz
ENVD230RF Day/Night EnviroDome Kit	18x day/night, outdoor pendant, flat roof mount, clear dome, white, fiber optic module, 230 VAC, 50 Hz
ENVD2450C Day/Night EnviroDome Kit	18x day/night, outdoor pendant, corner mount, clear dome, white, 24 VAC, 50 Hz
ENVD2450P Day/Night EnviroDome Kit	18x day/night, outdoor pendant, pipe mount, clear dome, white, 24 VAC, 50 Hz
ENVD2450W Day/Night EnviroDome Kit	18x day/night, outdoor pendant, wall mount, clear dome, white, 24 VAC, 50 Hz
ENVD2450M Day/Night EnviroDome Kit	18x day/night, outdoor pendant, pole mount, clear dome, white, 24 VAC, 50 Hz
ENVD2450CT Day/Night EnviroDome Kit	18x day/night, AutoTrack, outdoor pendant, corner mount, clear dome, white, 24 VAC, 50 Hz
ENVD2450MT Day/Night EnviroDome Kit	18x day/night, AutoTrack, outdoor pendant, pole mount, clear dome, white, 24 VAC, 50 Hz
ENVD2450PT Day/Night EnviroDome Kit	18x day/night, AutoTrack, outdoor pendant, pipe mount, clear dome, white, 24 VAC, 50 Hz
ENVD2450WT Day/Night EnviroDome Kit	18x day/night, AutoTrack, outdoor pendant, wall mount, clear dome, white, 24 VAC, 50 Hz
ENVE2450C Day/Night EnviroDome Kit	26x day/night, outdoor pendant, corner mount, clear dome, white, 24 VAC, 50 Hz
ENVT2450M Day/Night EnviroDome Kit	25x day/night, outdoor pendant, pole mount, clear dome, white, 24 VAC, 50 Hz
ENVE2450M Day/Night EnviroDome Kit	26x day/night, outdoor pendant, pole mount, clear dome, white, 24 VAC, 50 Hz
ENVE2450P Day/Night EnviroDome Kit	26x day/night, outdoor pendant, pipe mount, clear dome, white, 24 VAC, 50 Hz
ENVE2450W Day/Night EnviroDome Kit	26x day/night, outdoor pendant, wall mount, clear dome, white, 24 VAC, 50 Hz

## Ordering Information

### Model | Description

ENVE230C Day/Night EnviroDome Kit	26x day/night, outdoor pendant, corner mount, clear dome, white, 230 VAC, 50 Hz
ENVE230M Day/Night EnviroDome Kit	26x day/night, outdoor pendant, pole mount, clear dome, white, 230 VAC, 50 Hz
ENVE230P Day/Night EnviroDome Kit	26x day/night, outdoor pendant, pipe mount, clear dome, white, 230 VAC, 50 Hz
ENVE230W Day/Night EnviroDome Kit	26x day/night, outdoor pendant, wall mount, clear dome, white, 230 VAC, 50 Hz
ENVE2450CT Day/Night EnviroDome Kit	26x day/night, AutoTrack, outdoor pendant, corner mount, clear dome, white, 24 VAC, 50 Hz
ENVE2450MT Day/Night EnviroDome Kit	26x day/night, AutoTrack, outdoor pendant, pole mount, clear dome, white, 24 VAC, 50 Hz
ENVE2450PT Day/Night EnviroDome Kit	26x day/night, AutoTrack, outdoor pendant, pipe mount, clear dome, white, 24 VAC, 50 Hz
ENVE2450WT Day/Night EnviroDome Kit	26x day/night, AutoTrack, outdoor pendant, wall mount, clear dome, white, 24 VAC, 50 Hz
ENVE230CT Day/Night EnviroDome Kit	26x day/night, AutoTrack, outdoor pendant, corner mount, clear dome, white, 230 VAC, 50 Hz
ENVE230MT Day/Night EnviroDome Kit	26x day/night, AutoTrack, outdoor pendant, pole mount, clear dome, white, 230 VAC, 50 Hz
ENVE230PT Day/Night EnviroDome Kit	26x day/night, AutoTrack, outdoor pendant, pipe mount, clear dome, white, 230 VAC, 50 Hz
ENVE230WT Day/Night EnviroDome Kit	26x day/night, AutoTrack, outdoor pendant, wall mount, clear dome, white, 230 VAC, 50 Hz
ENVE230CF Day/Night EnviroDome Kit	26x day/night, outdoor pendant, corner mount, clear dome, white, fiber optic module, 230 VAC, 50 Hz
ENVE230MF Day/Night EnviroDome Kit	26x day/night, outdoor pendant, pole mount, clear dome, white, fiber optic module, 230 VAC, 50 Hz
ENVE230PF Day/Night EnviroDome Kit	26x day/night, outdoor pendant, pipe mount, clear dome, white, fiber optic module, 230 VAC, 50 Hz
ENVE230WF Day/Night EnviroDome Kit	26x day/night, outdoor pendant, wall mount, clear dome, white, fiber optic module, 230 VAC, 50 Hz
ENVE230CFT Day/Night EnviroDome Kit	26x day/night, AutoTrack, outdoor pendant, corner mount, clear dome, white, fiber optic module, 230 VAC, 50 Hz

## Ordering Information

### Model | Description

ENVE230MFT Day/Night EnviroDome Kit	26x day/night, AutoTrack, outdoor pendant, pole mount, clear dome, white, fiber optic module, 230 VAC, 50 Hz
ENVE230PFT Day/Night EnviroDome Kit	26x day/night, AutoTrack, outdoor pendant, pipe mount, clear dome, white, fiber optic module, 230 VAC, 50 Hz
ENVE230WFT Day/Night EnviroDome Kit	26x day/night, AutoTrack, outdoor pendant, wall mount, clear dome, white, fiber optic module, 230 VAC, 50 Hz
LTC0728/15C EnviroDome Camera Module	18x B/W, CCIR, outdoor pendant, clear dome, white, 24 VAC, 50 Hz
LTC0728/16C EnviroDome Camera Module	18x B/W, CCIR, outdoor pendant mount, tinted dome, white, 24 VAC, 50 Hz
LTC0828/15C EnviroDome Camera Module	18x color, outdoor pendant mount, clear dome, white, 24 VAC, 50 Hz
LTC0828/16C EnviroDome Camera Module	18x color, outdoor pendant mount, tinted dome, white, 24 VAC, 50 Hz
LTC0928/15C EnviroDome Camera Module	18x day/night, outdoor pendant mount, clear dome, white, 24 VAC, 50 Hz
LTC0928/16C EnviroDome Camera Module	18x day/night, outdoor pendant mount, tinted dome, white, 24 VAC, 50 Hz
LTC0938/15C EnviroDome Camera Module	25x day/night, outdoor pendant mount, clear dome, white, 24 VAC, 50 Hz
LTC0938/16C EnviroDome Camera Module	25x day/night, outdoor pendant mount, tinted dome, white, 24 VAC, 50 Hz
LTC9542/01 EnviroDome Pendant Corner Mount	white
LTC 0948/15C EnviroDome Camera Module	26x day/night, outdoor pendant mount, clear dome, white, 24 VAC, 50 Hz
LTC 0948/16C EnviroDome Camera Module	26x day/night, outdoor pendant mount, tinted bubble, white, 24 VAC, 50 Hz
G3ACS5C Color AutoDome Kit	18x color, indoor drop ceiling, clear dome, 24 VAC, 50 Hz
G3ACS5T Color AutoDome Kit	18x color, indoor drop ceiling, tinted dome, 24 VAC, 50 Hz

### Hardware Accessories

TC 220PSX-24 Power Supply Unit	230 VAC/20 VAC, 50 Hz, 20 VA
VP-CFGSFT Bilinx Configuration Tool	configuration software with USB adapter

### Software Options

VP-USB Bilinx to USB Adaptor	for use with configuration tool for Dome/Cameras
------------------------------	--

**Americas:**  
 Bosch Security Systems  
 130 Perinton Parkway  
 Fairport, New York, 14450, USA  
 Phone: +1 585 223 4060  
 Fax: +1 800 289 0096  
 security.sales@us.bosch.com  
 www.boschsecurity.us

**Europe, Middle East, Africa:**  
 Bosch Security Systems B.V.  
 P.O. Box 80002  
 5600 JB Eindhoven, The Netherlands  
 Phone: +31 40 27 83955  
 Fax: +31 40 27 86668  
 emea.securitysystems@bosch.com  
 www.boschsecurity.com

**Asia-Pacific:**  
 Bosch Security Systems Pte Ltd  
 38C Jalan Pemimpin  
 Singapore 577180  
 Phone: +65 6319 3450  
 Fax: +65 6319 3499  
 apr.securitysystems@bosch.com  
 www.boschsecurity.com

### Represented by